

## MODEL # SCRFC-III (60" HIGH UNIT)

### SPECIFICATIONS

The Bandit III Air Screen SCRFC-III Series is a grab and go style refrigerator. The self-contained refrigeration system includes digital controls allowing the unit to engage in minimal defrost cycles. Front mounted red indicator light alerts the operator if condensing unit requires cleaning. Unique baffled compressor housing for front air intake, top rear air discharge reducing noise levels plus zero clearance from wall installation. Unit also features an optional roll-down locking night cover. Unit comes standard with 2 adjustable extra deep shelves and top canopy light. Optional lights underneath shelving available in energy efficient LED lighting.

**Available lengths:**  36"  48"  60"  72"  
**Available depths:**  32 5/8"  
**Available heights:**  60"



NOTE: UNIT SHOWN WITH OPTIONAL STAINLESS STEEL EXTERIOR FINISH AND GLASS VISION END PANELS

### STANDARD FEATURES

- DOE 2017 Compliant
- Self-Contained Refrigeration
- Metal Frame Base Construction with Lift-Out Black Louvered Air Grill for Easy Access to Compressor
- Standard Grade Laminate Exterior
- T-Mold Edge Protection
- Brushed Aluminum Interior Ends
- Stainless Steel Perforated Interior Back Panel
- LED Top Canopy Light
- (2) Adjustable Stainless Steel Extra Deep Shelves for Maximum Capacity
- Removable Stainless Steel Deck Pan with Hemmed Edge to Contain Spills
- Electronic Digital Control and Defrost Termination
- Red Indicator Light Alerts Operator if Condenser Requires Cleaning
- Digital Temperature Display
- Unique Internal Baffle Design for Compressor Noise Reduction
- Front Air Intake with Top Rear Air Discharge for Zero Clearance
- Easy Slide-Out Condensing Unit (4', 5' & 6' Units)
- 8' Cord and Plug
- Conforms to NSF STD 7 Type II Refrigeration
- Environmentally Safe Refrigerant
- 1 Year Parts and Labor Warranty
- Floor Drain Required
- 5 Year Compressor Warranty

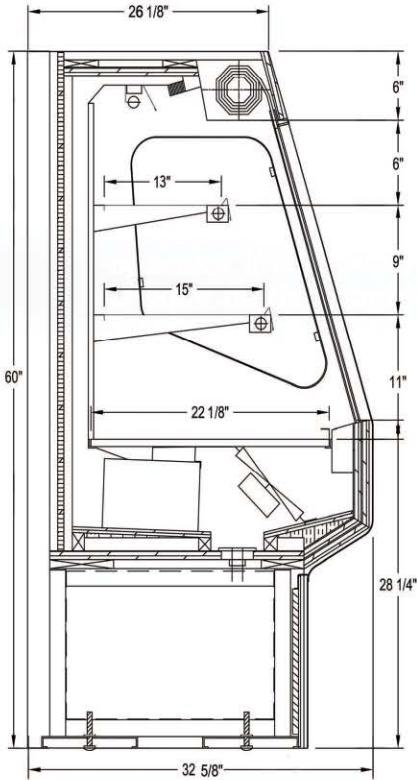
### OPTIONAL FEATURES

- Green Screen
- Remote Refrigeration
- Stainless Steel Exterior Finish with Standard T-Molding
  - #4  #6  #8
- Special Laminates
- Wood Veneers (Stained & Sealed)
- Miscellaneous Trim
- Energy Efficient LED Lighting Below Shelves
- Wire Shelves
  - Brass  White  Black  Chrome
- Mirrored Polished Stainless Steel Shelves (#8 Finish)
- Casters (Increases Height by 4")
- Adjustable Legs (Consult Factory for Sizes)
- Powder Coated Interior Back Panel and Hardware
  - Black  White  Custom Color
- Mirrored Polished Stainless Steel Interior Ends (#8 Finish)
- Mirrored Polished Stainless Steel Perforated Interior Back Panel (#8 Finish)
- Finished Back with Black Air Grill
- Stainless Steel Louvered Air Grill
- Solid Insulated Rear Sliding Doors
- See-Through Insulated Rear Sliding Doors
- Roll Down Locking Night Cover
- Removable Locking Security Panels
- Energy Efficient #23 Pull-Down Night Curtain
- Tie-In Strips for Interconnection of Units
- Thermometer



## MODEL # SCRFC-III (60" HIGH UNIT)

### SELF - CONTAINED



**NOTE:** A minimum of 18" clearance needed above unit for air discharge for self contained units.

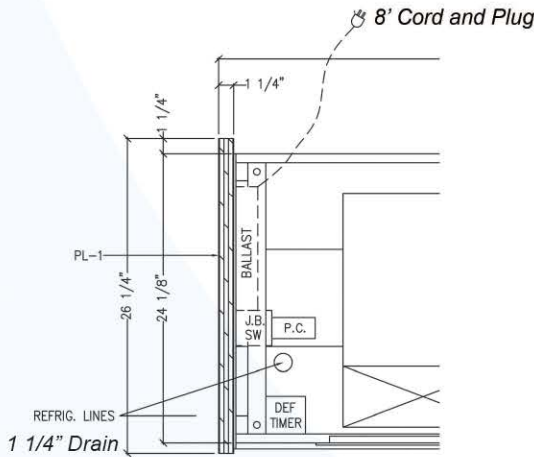
MODEL	L	D	H	HP	VOLT	AMP	PLUG	WT	REFRIG.
SCRFC3660R-III	36	32 3/8	60	1/2	115	12.6	5-20P	575	134A
SCRFC4860R-III	48	32 3/8	60	3/4	115/208-230 4 wire	11.2	L14-30P	675	404A
SCRFC6060R-III	60	32 3/8	60	1 1/4	115/208-230 4 wire	12.2	L14-30P	775	404A
SCRFC7260R-III	72	32 3/8	60	1 1/4	115/208-230 4 wire	12.3	L14-30P	875	404A

### AMBIENT

MODEL	L	D	H	VOLT	AMP	PLUG	WT
SCRFC3660D-III	36	32 5/8	60	115	0.24	5-15P	530
SCRFC4860D-III	48	32 5/8	60	115	0.31	5-15P	575
SCRFC6060D-III	60	32 5/8	60	115	0.40	5-15P	675
SCRFC7260D-III	72	32 5/8	60	115	0.47	5-15P	745

### REMOTE - REFRIGERATED

MODEL	BTU @ 20°F	VOLT	AMP	PLUG	WT	REFRIG.
SCRFC3660R-III-RR	4140	115	1.16	5-15P	530	Verify
SCRFC4860R-III-RR	7470	115	1.65	5-15P	575	Verify
SCRFC6060R-III-RR	9960	115	1.74	5-15P	675	Verify
SCRFC7260R-III-RR	9960	115	2.25	5-15P	745	Verify



Conforms to UL Standard 471, and NSF Standard 7; Certified To CSA Standard C22.2 No.120



**RPI refrigerated merchandisers configured for sale for use in the United States meet or surpass the requirements of the DOE 2017 energy efficiency standards**

### Electrical & Plumbing locations

1. All Self-Contained, Remote and Glycol Units must be run to a floor drain at time of installation.
2. Refrigeration System is designed so air will flow front to rear. Unobstructed air flow must be maintained to ensure unit performance and maintain warranty.
3. The SCRFC-III merchandiser is designed for use in stores where ambient temperatures and humidity do not exceed 80 Degrees Fahrenheit and 60% R.H. Locate away from direct sunlight, rapid air currents and extreme temperature changes. Exposure to air currents from ceiling fans, air conditioning diffusers, ovens, etc. will disrupt the case air curtain and refrigerated zone. Refrigerated Displays are designed to maintain pre-chilled products. Adding or loading warm products above 41 Degrees Fahrenheit can affect the temperature in the entire cabinet. Any adverse field conditions stated above will void warranty.

RPI in line with its policy to continually improve its products reserves the right to change materials and specifications without notice.

CALL TOLL FREE: 800-525-3692 (609-714-2330)

FAX: 609-714-2331 [www.rpiindustries.com](http://www.rpiindustries.com)

220 ROUTE 70, MEDFORD, NJ 08055