

MODEL # VICD-SQ-FRL SQUARED FRAMELESS GLASS

SPECIFICATIONS

The Vienna Series VICD-SQ-FRL Slide-in or Drop-in is a full-service refrigerated display merchandiser, featuring a squared glass profile with frameless insulated glass front, top and side panels. Unit is available in two lengths and one height with hinged rear see-through access doors. When being used as a "slide-in" please advise if counter height is 34" or 36". Optional 6" or 8" stainless steel adjustable legs or casters are available for slide-in style models.

Available lengths: 31 1/2" 44 3/8"
Available depths: 27 3/8"
Available (above counter) heights: 28"



STANDARD FEATURES

- New Standard Feature: Food Care Technology FCT
- Squared Glass Profile
- 304 Stainless Steel Exterior
- Insulated Frameless Glass Top and Side Panels
- Hinged Rear See-Through Access Doors
- Fully adjustable Tempered Glass Shelves (tiltable to 7 degrees)
- Tilt-Out Insulated Front Glass
- Easy Removable Deck Pans for Cleaning
- Programmable Digital Refrigeration Controller
- Self-Contained Refrigeration with Slide-In Base
- Rear Air Ventilation Kit
- Energy Efficient LED Lighting (Plug-In)
- Fan Assisted Cooling System
- Lift-Up Evaporator
- ETL Listed in Accordance with UL 471 and NSF 7 Standards
- Environmentally Safe Refrigerant
- 5 Year Compressor Warranty
- Condensate Pan Included (self contained only)

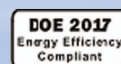
OPTIONAL FEATURES

- Drop-In Style (Consult Factory for Additional Information)
- Remote Refrigeration
- Powder Coat Finish
- Front Air Ventilation
- Rear Cutting Board
- Mirrored Rear Access Doors
- Rear Sliding Access Doors
- Rear Door Locks
- Integrations Modular Counter (Consult Factory)
- Adjustable Legs & Casters (Slide-In Units)
 - 6" Legs 8" Legs
 - 6" Casters

Advanced technology with evaporative cooling system that adds natural humidification for increase in product freshness

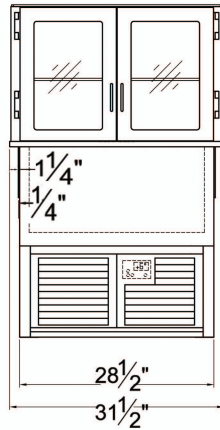
SELF CONTAINED	L	D	H	HP	VOLT	AMPS	PLUG	WT	REFRIG.	DROP IN C/O SIZE	SLIDE IN C/O SIZE
VICD2-27-R-SQ-SC-INS-FRL	31 1/2	27 3/8	28	1/3	115	5.7	5-15P	532	R448A	29 1/4 x 26 3/8	29 1/4 x VARIES
VICD3-27-R-SQ-SC-INS-FRL	44 3/8	27 3/8	28	1/3	115	6.0	5-15P	581	R448A	42 1/8 x 26 3/8	42 1/8 x VARIES

REMOTE	L	D	H	BTU	VOLT	AMPS	PLUG	WT	REFRIG.	DROP IN C/O SIZE	SLIDE IN C/O SIZE
VICD2-27-R-SQ-RR-INS-FRL	31 1/2	27 3/8	28	1263	115	1.2	5-15P	482	R448A	29 1/4 x 26 3/8	29 1/4 x VARIES
VICD3-27-R-SQ-RR-INS-FRL	44 3/8	27 3/8	28	1638	115	1.5	5-15P	531	R448A	42 1/8 x 26 3/8	42 1/8 x VARIES

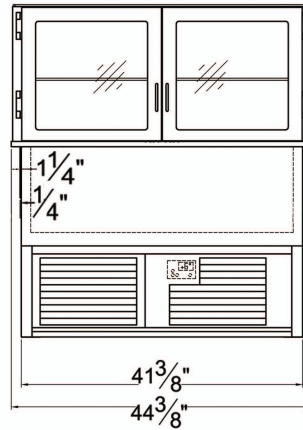


Conforms to UL Standard 471, and NSF Standard 7; Certified To CSA Standard C22.2 No.120

MODEL # VICD-SQ-FRL SQUARED FRAMELESS GLASS

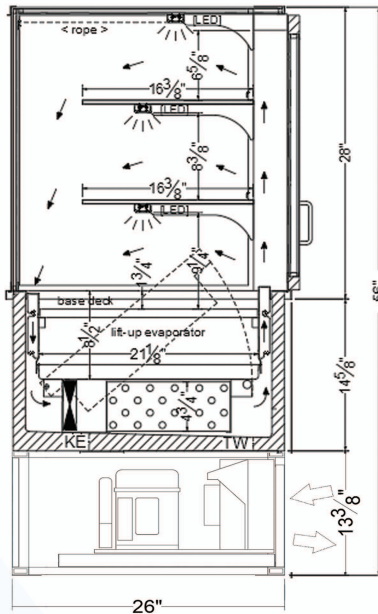


VICD2-27-R-SQ-SC-INS-FRL

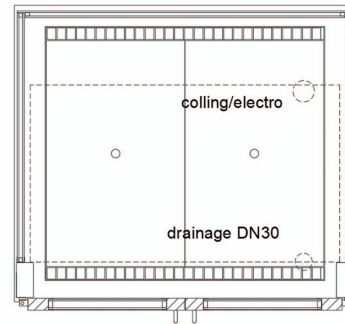


VICD3-27-R-SQ-SC-INS-FRL

VICD(A)-27-R-SQ-SC INS



Electrical & Plumbing locations



LARGEST DIMENSION REPRESENTS OUTSIDE FLANGE

1. For self contained units, ventilation louvers, **MUST** be provided in the cabinet or counter and located so to provide full ventilation for the condensing unit.
2. For remote units, refrigerant must be verified at the time of order to ensure proper expansion valve is provided.
3. The VICD-SQ-INS-FRL merchandiser is designed for use in locations where temperatures and humidity do not exceed 75 degrees and 55% R.H. Locate away from direct sunlight, rapid air currents and extreme temperature changes. Exposure to air currents from ceiling fans, air conditioners, ovens, etc. will disrupt the cases air current and refrigeration zone within. Any adverse field conditions stated above will void warranty.

RPI in line with it's policy to continually improve it's product reserves the right to change materials and specifications without notice.

CALL TOLL FREE: 800-525-3692 (609-714-2330)

FAX: 609-714-2331 www.rpiindustries.com

220 ROUTE 70, MEDFORD, NJ 08055