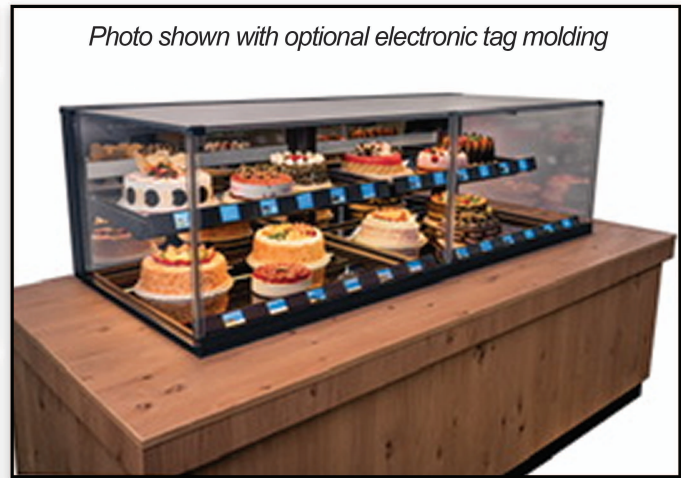


## MODEL # VICD2+2-20-R-SQ-SC-INS-FCT

### SPECIFICATIONS

The Food Care Technology Line is designed to maximize product freshness! Unit offers a uniquely designed coil with variable speed fans, which enables you to achieve very high natural humidity levels for preservation of product. This in-turn provides longer product shelf life!

- Available lengths:  71 5/8"  
 Available depths:  31 1/2"  
 Available heights:  49 1/4"



### STANDARD FEATURES

- 2 Units Built With (1) Common Glass Divider
- Squared Glass Profile
- 304 Stainless Steel Exterior
- Frameless Insulated Glass Front, Top and Side Panels
- Energy Efficient LED Lighting
- (2) Flip Down Rear Doors With Mirrored Stainless Steel Interior
- (1) Retractable Tempered Glass Shelves
- Rear Pull-out Drawer With Work Ledge For Easy Access To Deck Pan
- Food Care Technology (FCT) is a unique evaporator coil offering increased air humidity for longer product preservation
- Programmable Digital Refrigeration Controller
- Self-Contained Refrigeration
- Rear Air Ventilation Kit
- Fan Assisted Cooling System
- ETL Listed in Accordance with UL 471 and NSF 7 Standards
- Environmentally Safe Refrigerant
- 5 Year Compressor Warranty
- Built-in Evaporation System (self-contained only)
- Adjustable Legs

### OPTIONAL FEATURES

- Powder Exterior Finish (Contact Factory)
- Flex Series Paneling Profiles:
  - HP (Half Front)  HT (Half Tapered)
- Flex Series Flat Paneling Finish Options:
  - #4 Brushed Stainless Steel  #8 Mirror Polished Stainless Steel
  - Laminate  Wood Veneer
- 3" Casters (Slide-In Units)
- Electronic Tag Molding

Self Contained	L	D *	H	VOLT	AMPS	PLUG	WT	REFRIG.
VICD2+2-20-R-SQ-SC-INS-FCT	71 5/8	31 1/2	49 1/4	2x 115v	2x 6.8	2x 5-15P	750	R448A

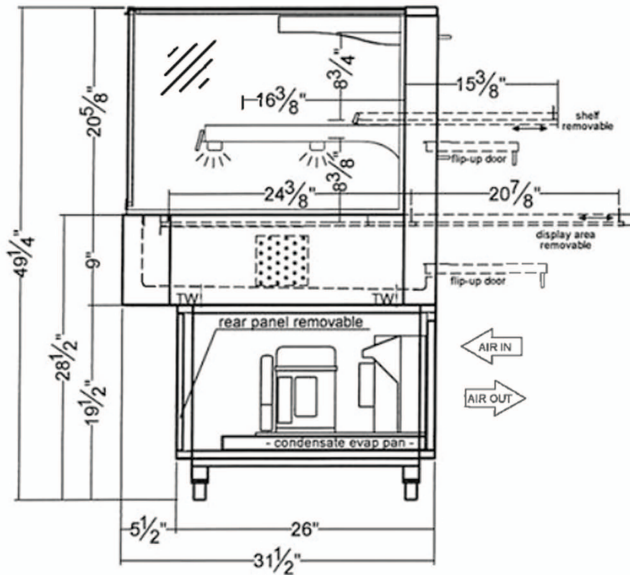


Conforms to UL Standard 471, and NSF Standard 7; Certified To CSA Standard C22.2 No.120

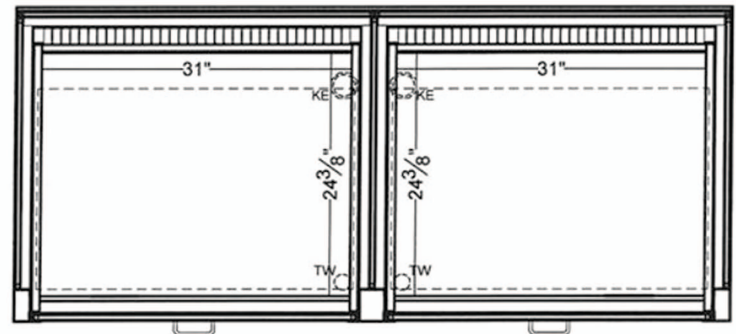
CALL TOLL FREE: 800-525-3692 (609-714-2330)  
 FAX: 609-714-2331 [www.rpiindustries.com](http://www.rpiindustries.com)  
 220 ROUTE 70, MEDFORD, NJ 08055

## MODEL # VICD2+2-20-R-SQ-SC-INS-FCT

(side elevation)

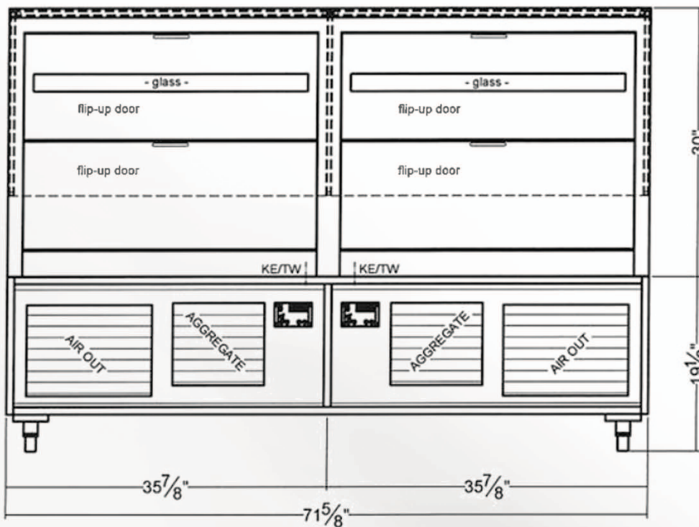


(floor plan)

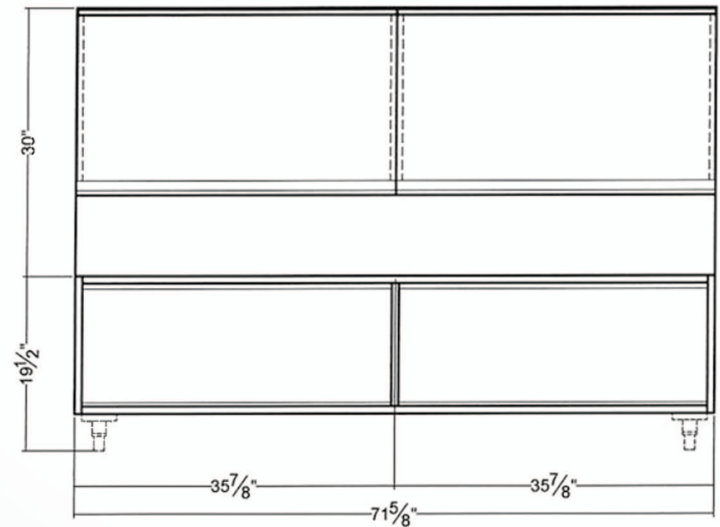


**Electrical & Plumbing locations**

(operator side)



(customer side)



1. A 1 1/8" diameter drain is provided. For remote units the drain **MUST** be connected to a floor drain or storage container **AT TIME OF INSTALLATION**.
2. For self contained units ventilation louvers, **MUST** be provided in the cabinet or counter and located so to provide full ventilation for the condensing unit.
3. For remote units refrigerant must be verified by customer at the time of order, to ensure proper expansion valve is provided.
4. The VICD-FLAN merchandiser is designed for use in locations where temperatures and humidity do not exceed 75 degrees and 55% R.H. Locate away from direct sunlight, rapid air currents and extreme temperature changes. Exposure to air currents from ceiling fans, air conditioners, ovens, etc. will disrupt the cases air current and refrigeration zone within. Any adverse field conditions stated above will void warranty.

RPI in line with it's policy to continually improve it's product reserves the right to change materials and specifications without notice.

CALL TOLL FREE: 800-525-3692 (609-714-2330)

FAX: 609-714-2331 [www.rpiindustries.com](http://www.rpiindustries.com)

220 ROUTE 70, MEDFORD, NJ 08055