

## MODEL # VIAS2-20-R-SQ-SC-TAH

### SPECIFICATIONS

The Take Away Hot/Cool display consists of a lower refrigerated grab n go section with a hot service top. This case is constructed with stainless steel interior and exterior and clear glass but also comes standard with upgraded features such as LED lights, rear sliding access doors and a rear pull out drawer for easy loading on service side. This is available for remote or self-contained applications. Unique pivot system gives the option for serve or operator serve.

Available lengths:  47 1/2"  
 Available depths:  42 7/8"  
 Available heights:  51"



### STANDARD FEATURES

- Self-contained
- Stainless steel interior & exterior
- Bottom display refrigerated self-serve
- Easy Change Front Glass  
*(lifts and retracts into case for full service or self-service application.)*
- Energy efficient LED lighting
- Top display hot service
- Price tag molding
- Pull out drawer with rear-view glass for attendant loading
- Clear glass sides, front and top
- Mitastar hinged rear doors
- 4" Adjustable feet (Adjustable 1" in height)
- Programmable digital display controller
- ETL listed, UL and NSF7
- Built in evaporation system (self-contained only)

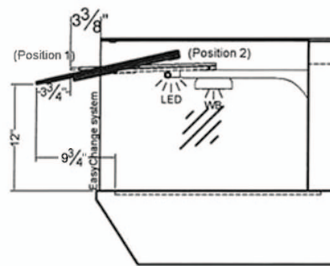
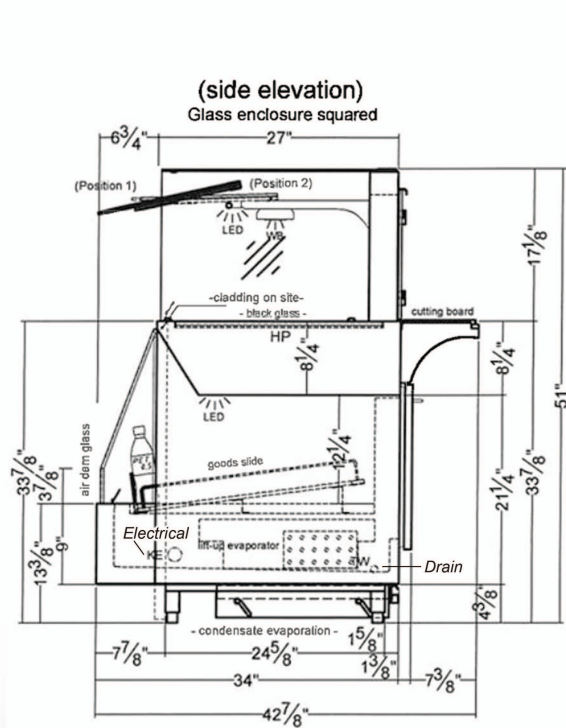
### OPTIONAL FEATURES

- Powder coat exterior (contact factory)

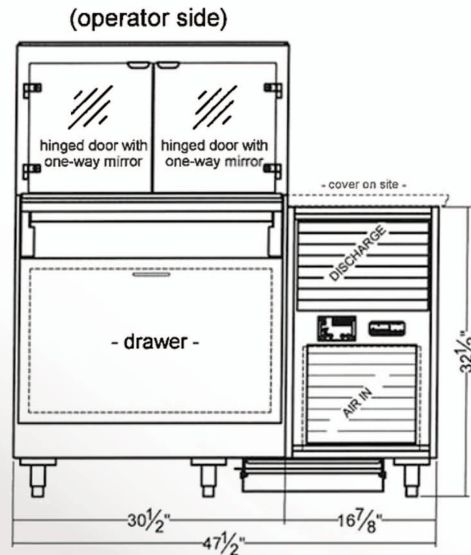
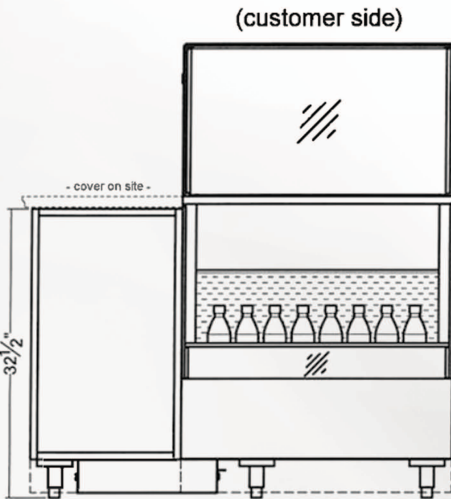
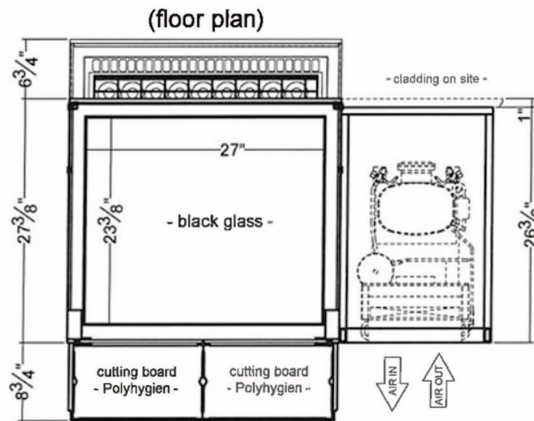
Self-Contained	L *	D	H	VOLT	AMPS	PLUG	WT	REFRIG.
VIAS2-20-R-SQ-SC-TAH	47 1/2	42 7/8	51	115v / 208-230v 4wire	9.5	L14-20P	600	R448A



## MODEL # VIAS2-20-R-SQ-SC-TAH



\* Position 1: USA NSF position for self-service  
 \* Position 2: Cleaning position - front glass slid in  
 Detail EasyChange system USA



1. A 1 1/8" diameter drain is provided. The drain **MUST** be connected to a floor drain or storage container **AT TIME OF INSTALLATION**.
2. For self-contained units, ventilation louvers, **MUST** be provided in the cabinet or counter and located so to provide full ventilation for the condensing unit.
3. For remote units, customer must verify refrigerant at the time of order to ensure proper expansion valve is provided.
4. The VIAS-TAC merchandiser is designed for use in locations where temperatures and humidity do not exceed 75 degrees and 55% R.H. Locate away from direct sunlight, rapid air currents and extreme temperature changes. Exposure to air currents from ceiling fans, air conditioners, ovens, etc. will disrupt the cases air current and refrigeration zone within. Any adverse field conditions stated above will void warranty.

RPI in line with it's policy to continually improve it's product reserves the right to change materials and specifications without notice.

CALL TOLL FREE: 800-525-3692 (609-714-2330)

FAX: 609-714-2331 [www.rpiindustries.com](http://www.rpiindustries.com)

220 ROUTE 70, MEDFORD, NJ 08055