



4  
4.5  
5  
3.5  
3.25  
3

**Monaco IV Series**

**SNACK DISPLAY  
CABINET  
HIGH DECK**

## Monaco IV Series

### Snack display cabinet with high deck

H 46.1" - 53.2"  
P 31.5"  
L 39.4" - 49.3" - 59.1" - 68.9" - 78.8"

TN RV - Ventilated  
TN RV - Ventilated with refrigerated storage  
TN RV PC - Ventilated and hot plate convertible  
TN RV PC - Ventilated and hot plate convertible with refrigerated storage  
TN RV CH - Chocolate display  
TN RV CH - Chocolate display with refrigerated storage  
TC S - Dry heat





## Monaco IV Series

### Snack display cabinet with high deck corner unit

H 46.1" - 53.2"  
P 31.5"  
L TDX-TSX 59.1"

TN RV - Ventilated  
TN RV PC - Ventilated and hot plate convertible  
TN RV CH - Chocolate display  
TC S - Dry heat



## Monaco IV Series

### Glass structure configuratons

Tilt front glass



Glass structure with tilt front, LED lighting and sliding doors

H 46.1"

5.700 K  
4.000 K

Tilt front glass

Intermediate shelves with lighting and heating option



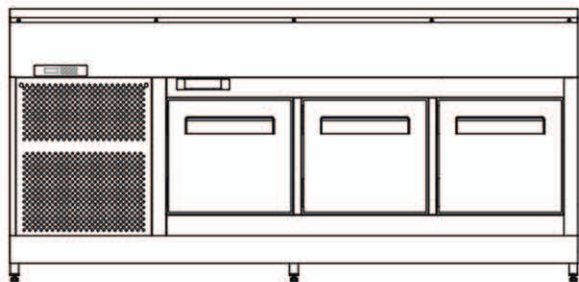
Glass structure with tilt front, LED lighting and sliding doors

H 53.2"

5.700 K  
4.000 K

# Monaco IV Series

## Operator side



### TN refrigerated storage

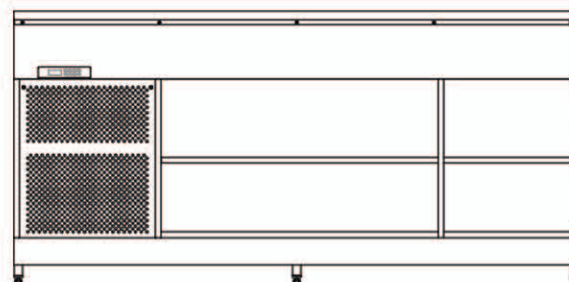
Module	UCB (plug-in)	UCR (remote)
length	-	-
39.4"	-	-
49.3"	-	2-door
59.1"	2-door	2-door
68.9"	2-door	3-door
78.8"	2 or 3 door	2 or 3 door
TDX	-	-
TSX	-	-



Display deck, front profile and side profiles can be customized.

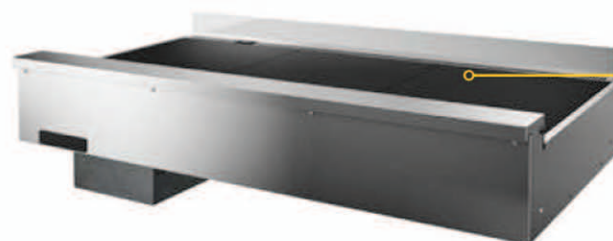
Black RAL 9004  
RAL choice

## Customization



### Open storage

Open storage with height adjustable shelves.



Hot plate in ceramic material Laminam™

Dark grey finish

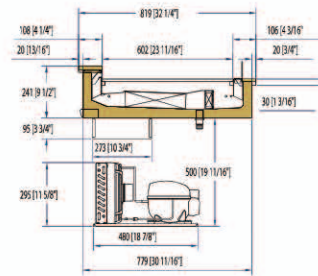
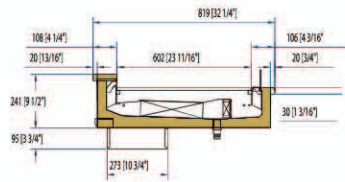
# Monaco IV Series

## Cross sections

- TN RV
- TN RV PC
- TN RV CH

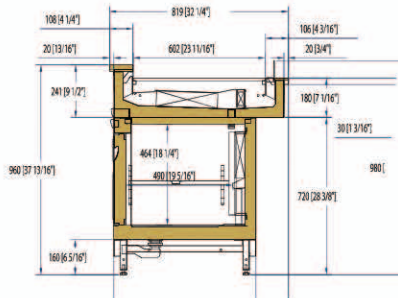
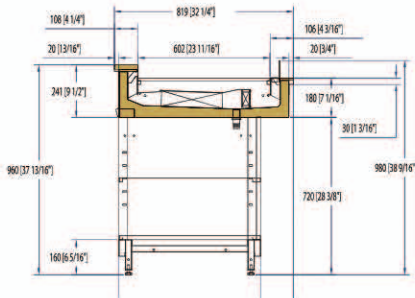
H 46.1" - 53.2"  
 P 31.5"  
 L 39.4" - 49.3" - 59.1" - 68.9" - 78.8"  
 TDX-TSX 59.1"

- TN RV - Ventilated
- TN RV - Ventilated with refrigerated storage
- TN RV PC - Ventilated and hot plate convertible
- TN RV PC - Ventilated and hot plate convertible with refrigerated storage
- TN RV CH - Chocolate display
- TN RV CH - Chocolate display with refrigerated storage
- TC S - Dry heat



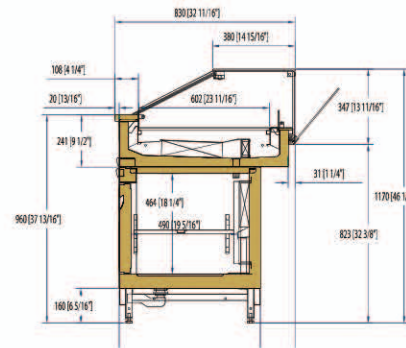
Well

Well with factory-connected condensing unit

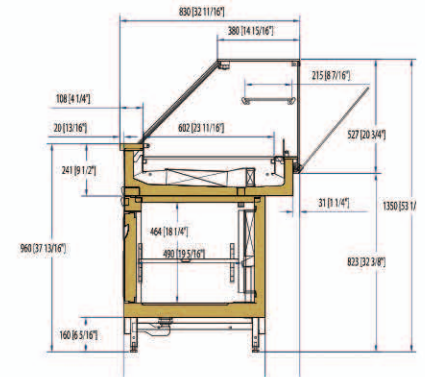


Well on neutral counter base

Well on refrigerated storage counter base



H117 Display cabinet with lighted tilt glass structure and refrigerated storage



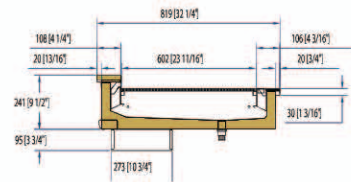
H135 Display cabinet with lighted tilt glass structure and refrigerated storage



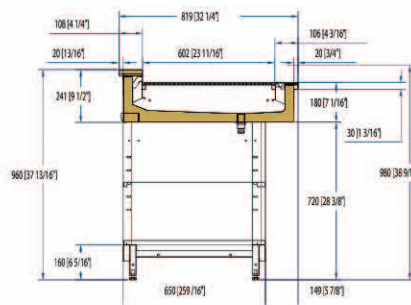
# Monaco IV Series

## Cross sections TC S

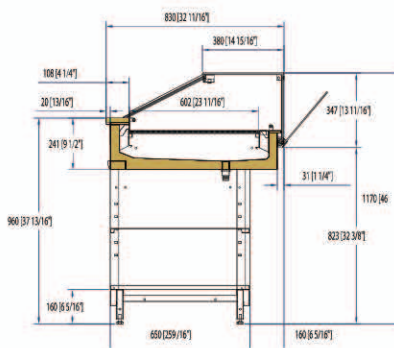
H 46.1" - 53.2"  
 P 31.5"  
 L 39.4" - 49.3" - 59.1" - 68.9" - 78.8"  
 TDX-TSX 59.1"



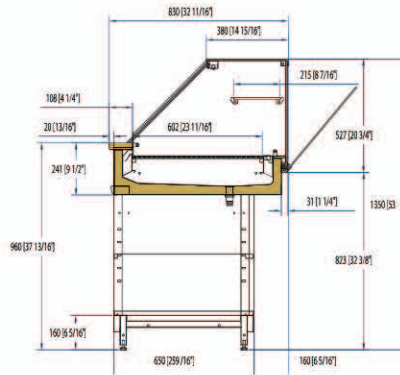
Well



Well on neutral counter base



H117 Display cabinet with lighted tilt glass structure and refrigerated storage



H135 Display cabinet with lighted tilt glass structure and refrigerated storage

## Technical data

### UCB plug-in condensing unit

MODULE LENGTH	39.4" 49.3" 59.1" 68.9" 78.8"
Climate class	3
Climate conditions	77 °F/60% UR
Ventilated refrigeration operating temperature	43/47 °F
Chocolate display operating temperature	58 / 61 °F
Hot plate operating temperature	149 °F
Compressos [q.ty/ type]	1/ hermetic
Defrost	compressor off-cycle
Power Supply [V/hz]	230/50
Refrigerant	R290

### VENTILATED REFRIGERATION - UCR remote condensing unit

MODULE LENGTH	39.4" 49.3" 59.1" 68.9" 78.8"
Refrigerants	R404A/ R452A
Climate class	4
Climate conditions	86°F
Defrost	compressor off-cycle

### CHOCOLATE DISPLAY - UCR remote condensing unit

MODULE LENGTH	39.4" 49.3" 59.1" 68.9" 78.8"
Refrigerants	R404A/ R452A
Climate class	4
Climate conditions	86°F/55% UR
Defrost	compressor off-cycle