

SPECIFICATIONS

Modular individually controlled heated display merchandisers that can be stacked up to 4-units in height. The innovative and proprietary "Advanced Airflow Technology" ensures proper and consistent food holding temperatures to maximize food quality, food safety and extended product shelf life. Standard matte black (RAL 9005) powder coated stainless steel. Available in 1 and 2 tier counter top, 3 and 4 tier floor model (base included).

- Available lengths: 40"
 Available depths: 30 3/4"
 Available heights: 15 3/8" 30 3/8" 66" 81"



STANDARD FEATURES

- Stainless steel black powder coat
- Electronic controller with display
- High Efficiency LED Interior lighting
- Mirrored interior rear panel
- Innovative circulating heat technology
- Black glass presentation area
- With height-adjustable feet
- ETL listed in accordance with UL 197 and NSF standards

OPTIONAL ACCESSORIES

- Additional powder coat colors available, contact factory
-  EK018163 Goods slide "FlexRoller"; Black maximum 1 pc. per level
-  87019177 Base deck RAL9005 Width 10" maximum 2 pcs. per level
-  87018567 Base deck RAL9005 Width 20 1/8" maximum 1 pc. per level
-  87019214 Snack holder RAL9005 Width 2 1/2" maximum 5 pcs. per level
-  87019180 Snack holder RAL9005 Width 5" maximum 4 pcs. per level
-  87019190 Snack wave RAL9005 Flat 5" maximum 4 pcs. per level
-  87019194 Snack wave RAL9005 Oblique 5" maximum 4 pcs. per level

| MODEL | L | D | H | VOLT | AMPS | PLUG | WT |
|-----------------------|-----|---------|---------|----------------------|----------|----------------|-----|
| VIHD1-SQ-CO-VARIO-100 | 40" | 30 3/4" | 15 3/8" | 208-240V | 7 | 6-20P | 192 |
| VIHD2-SQ-CO-VARIO-100 | 40" | 30 3/4" | 30 3/8" | 208-240V | 14 | 6-20P | 384 |
| VIHD3-SQ-CO-VARIO-100 | 40" | 30 3/4" | 66" | 208-240V 208-240V | 14 7 | 6-20P 6-20P | 575 |
| VIHD4-SQ-CO-VARIO-100 | 40" | 30 3/4" | 81" | 208-240V 208-240V | 14 14 | 6-20P 6-20P | 768 |

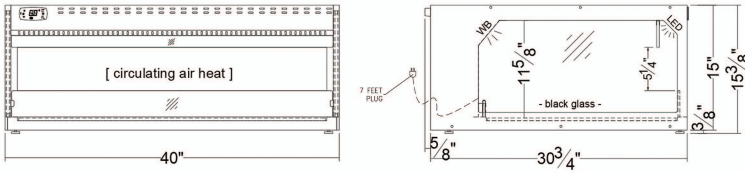


HOT VARIO 40

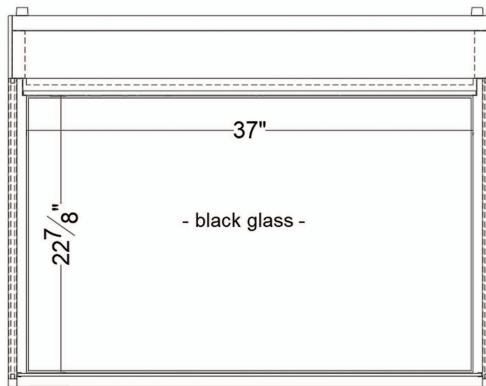
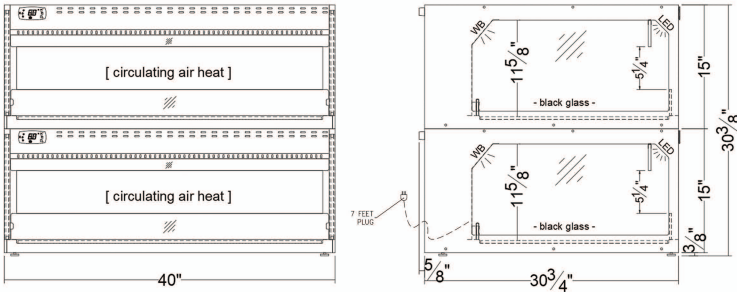
PROJECT:
TOLL FREE: 800-525-3692

MODEL # VIHD-SQ-CO-VARIO-100

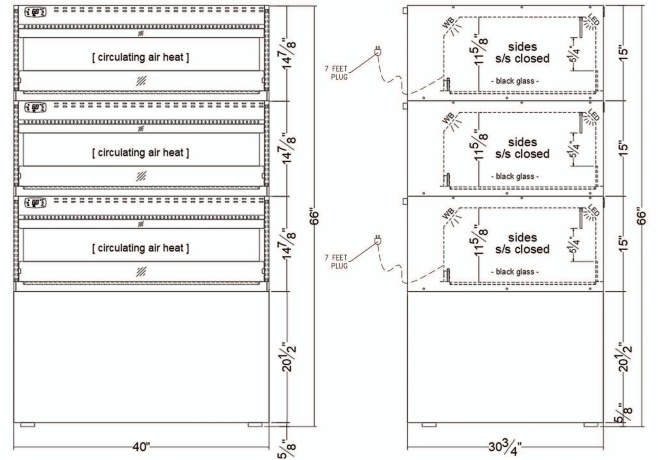
VIHD1-SQ-CO-VARIO-100



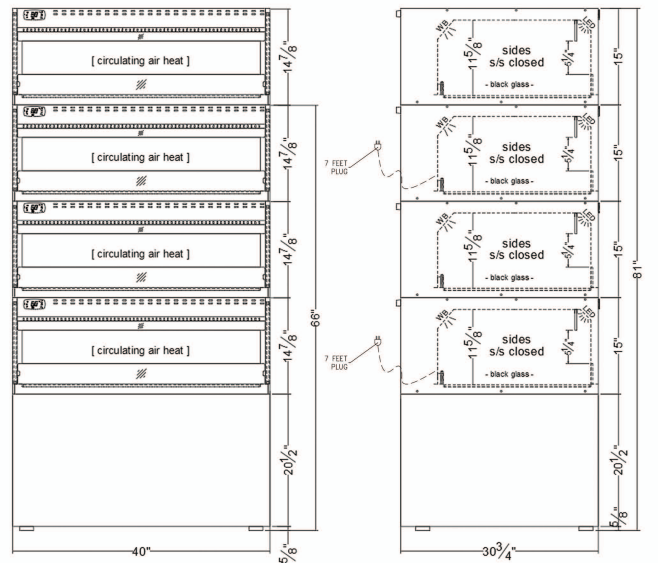
VIHD2-SQ-CO-VARIO-100



VIHD3-SQ-CO-VARIO-100



VIHD4-SQ-CO-VARIO-100



RPI in line with it's policy to continually improve it's product reserves the right to change materials and specifications without notice.

CALL TOLL FREE: 800-525-3692 (609-714-2330)

FAX: 609-714-2331 www.rpiindustries.com

220 ROUTE 70, MEDFORD, NJ 08055

RPI INDUSTRIES, INC. v2_21_25