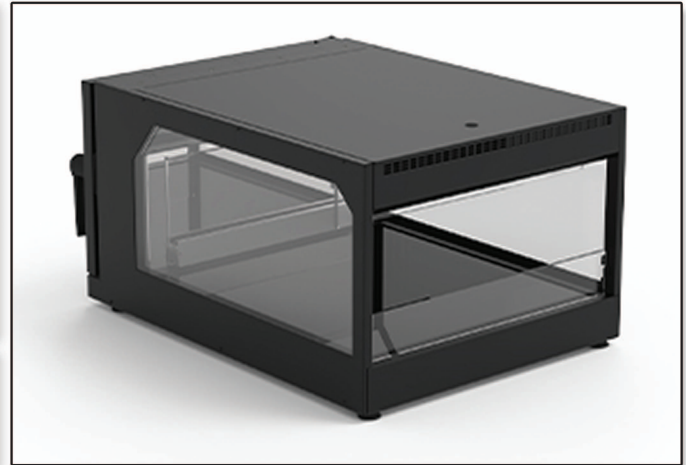


**MODEL # VIHD-SQ-CO-VARIO-BL**

## SPECIFICATIONS

Modular individually controlled back loading heated display merchandisers that can be stacked up to 4-units in height. The innovative and proprietary "Advanced Airflow Technology" ensures proper and consistent food holding temperatures to maximize food quality, food safety and extended product shelf life. Standard matte black (RAL 9005) powder coated stainless steel. Available in 1 and 2 tier counter top, 3 and 4 tier floor model (base included).

- Available lengths:  23 1/2"  
 Available depths:  33 1/4"  
 Available heights:  17 1/8"  33 3/4"  70 3/4"  79 1/4"



### STANDARD FEATURES

- Stainless steel black powder coat
- Electronic controller with display
- High Efficiency LED Interior lighting
- Mirrored interior rear panel
- Innovative circulating heat technology
- Black glass presentation area
- With height-adjustable feet
- ETL listed in accordance with UL 197 and NSF standards

### OPTIONAL ACCESSORIES

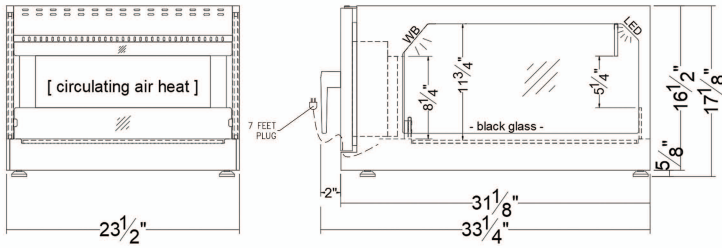
- Additional powder coat colors available, contact factory
-  EK018163 Goods slide "FlexRoller"; Black maximum 1 pc. per level
-  87019177 Base deck RAL9005 Width 10" maximum 2 pcs. per level
-  87018567 Base deck RAL9005 Width 20 1/8" maximum 1 pc. per level
-  87019214 Snack holder RAL9005 Width 2 1/2" maximum 5 pcs. per level
-  87019180 Snack holder RAL9005 Width 5" maximum 4 pcs. per level
-  87019190 Snack wave RAL9005 Flat 5" maximum 4 pcs. per level
-  87019194 Snack wave RAL9005 Oblique 5" maximum 4 pcs. per level

MODEL	L	D	H	VOLT	AMPS	PLUG	WT
VIHD1-SQ-CO-VARIO-BL	23 1/2"	33 1/4"	17 1/8"	208-240V	3.5	6-20P	150
VIHD2-SQ-CO-VARIO-BL	23 1/2"	33 1/4"	33 3/4"	208-240V	7	6-20P	285
VIHD3-SQ-CO-VARIO-BL	23 1/2"	33 1/4"	70 3/4"	208-240V	10.5	6-20P	396
VIHD4-SQ-CO-VARIO-BL	23 1/2"	33 1/4"	79 1/4"	208-240V	14	6-20P	510

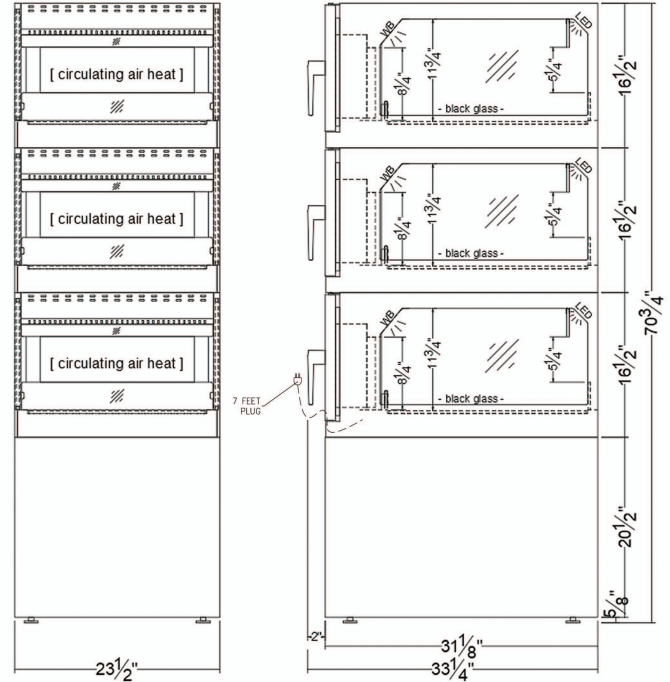


## MODEL # VIHD-SQ-CO-VARIO-BL

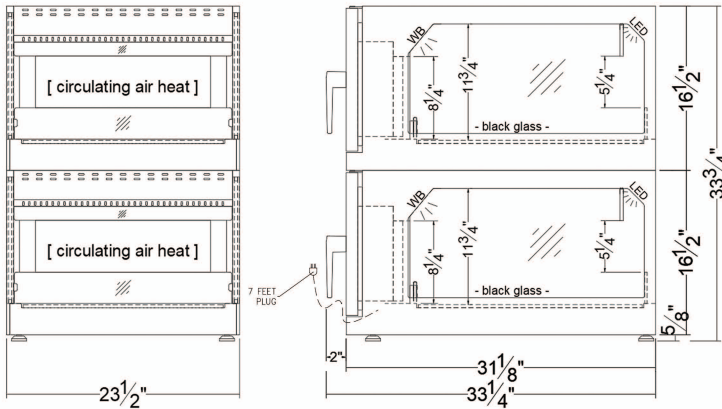
VIHD1-SQ-CO-VARIO-BL



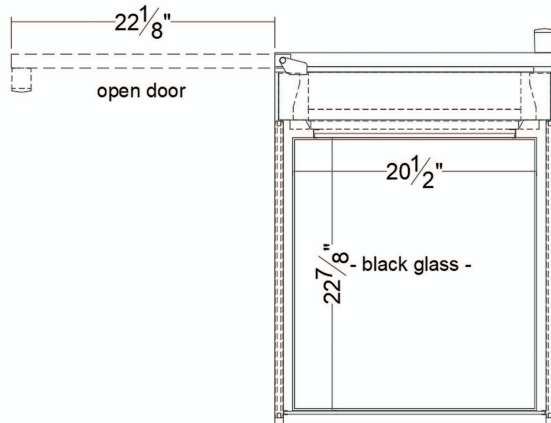
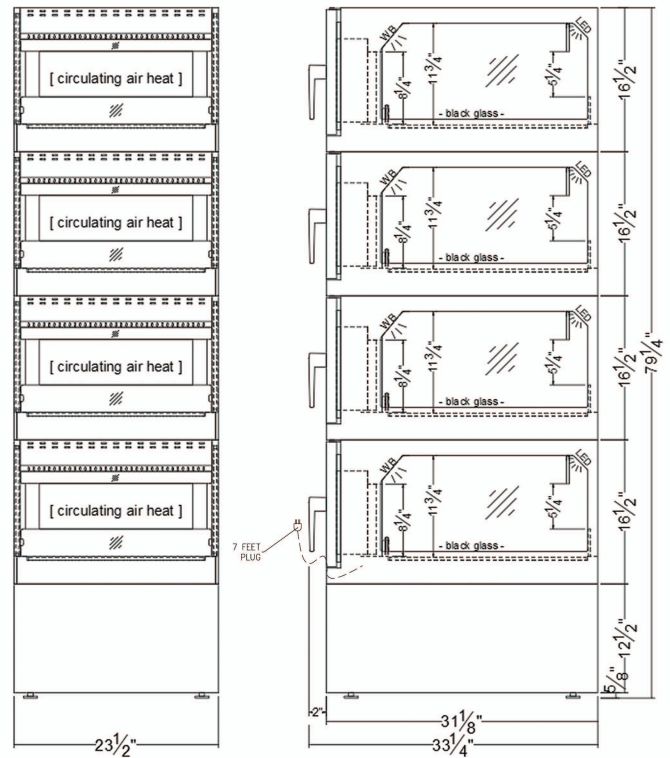
VIHD3-SQ-CO-VARIO-BL



VIHD2-SQ-CO-VARIO-BL



VIHD4-SQ-CO-VARIO-BL



RPI in line with it's policy to continually improve it's product reserves the right to change materials and specifications without notice.